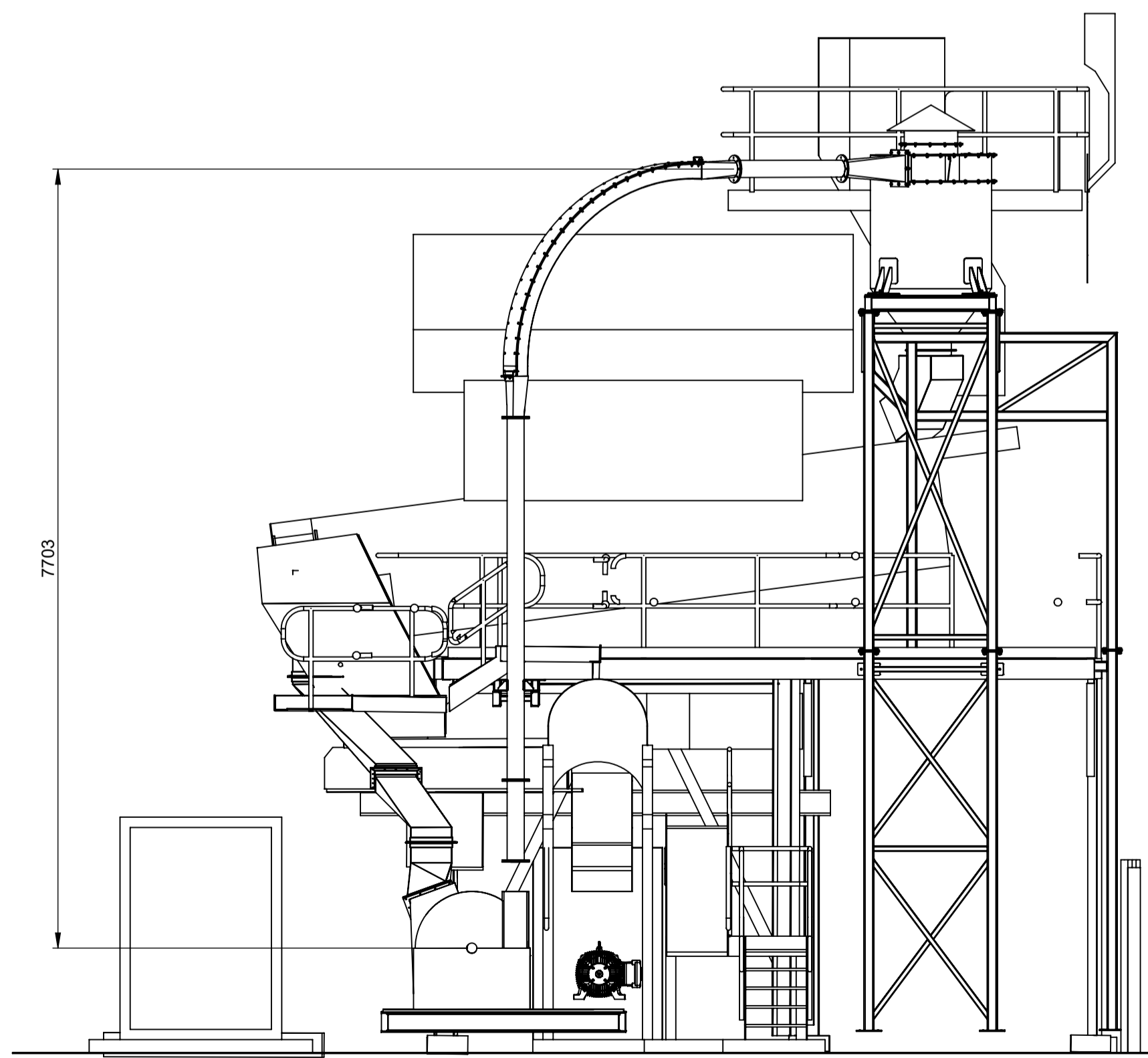
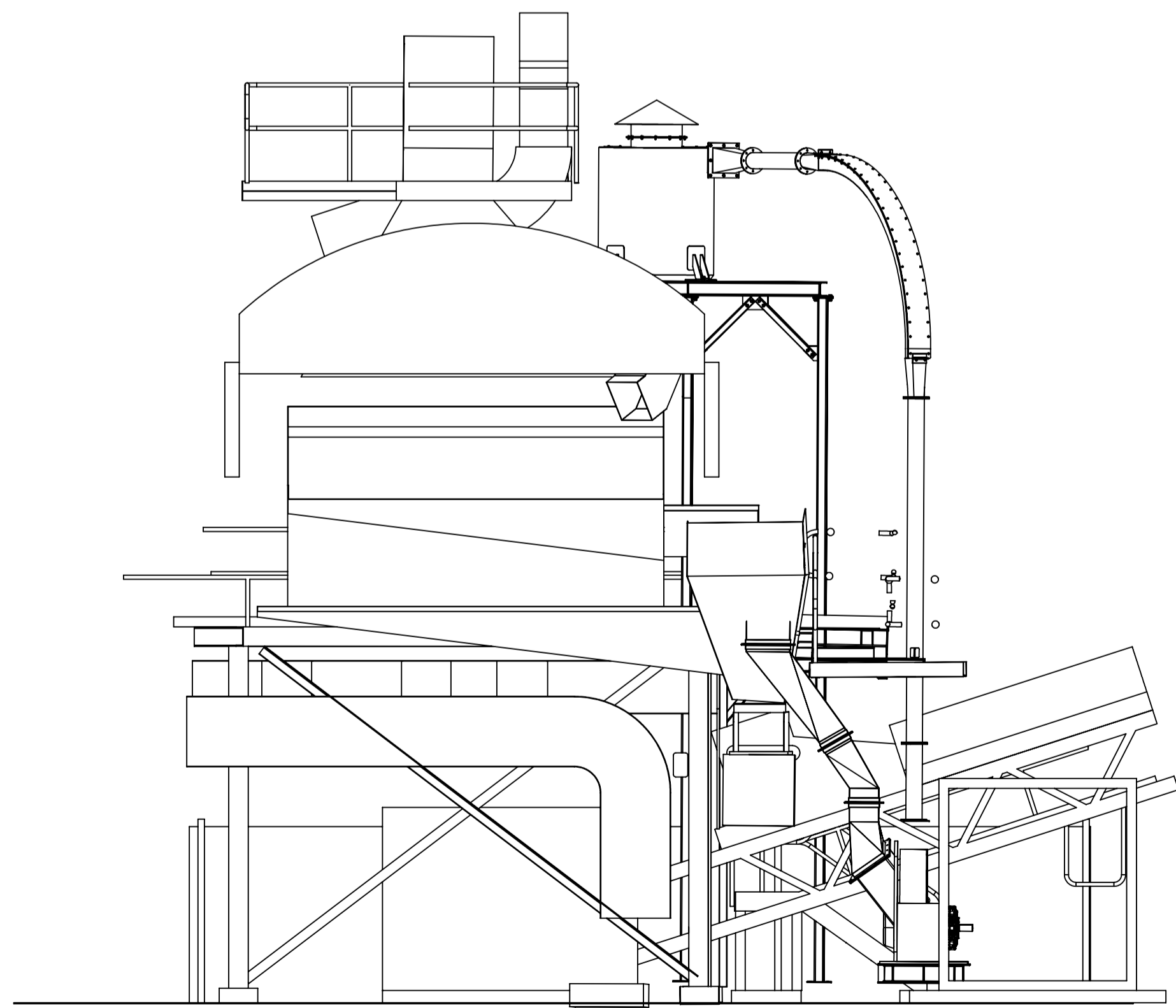
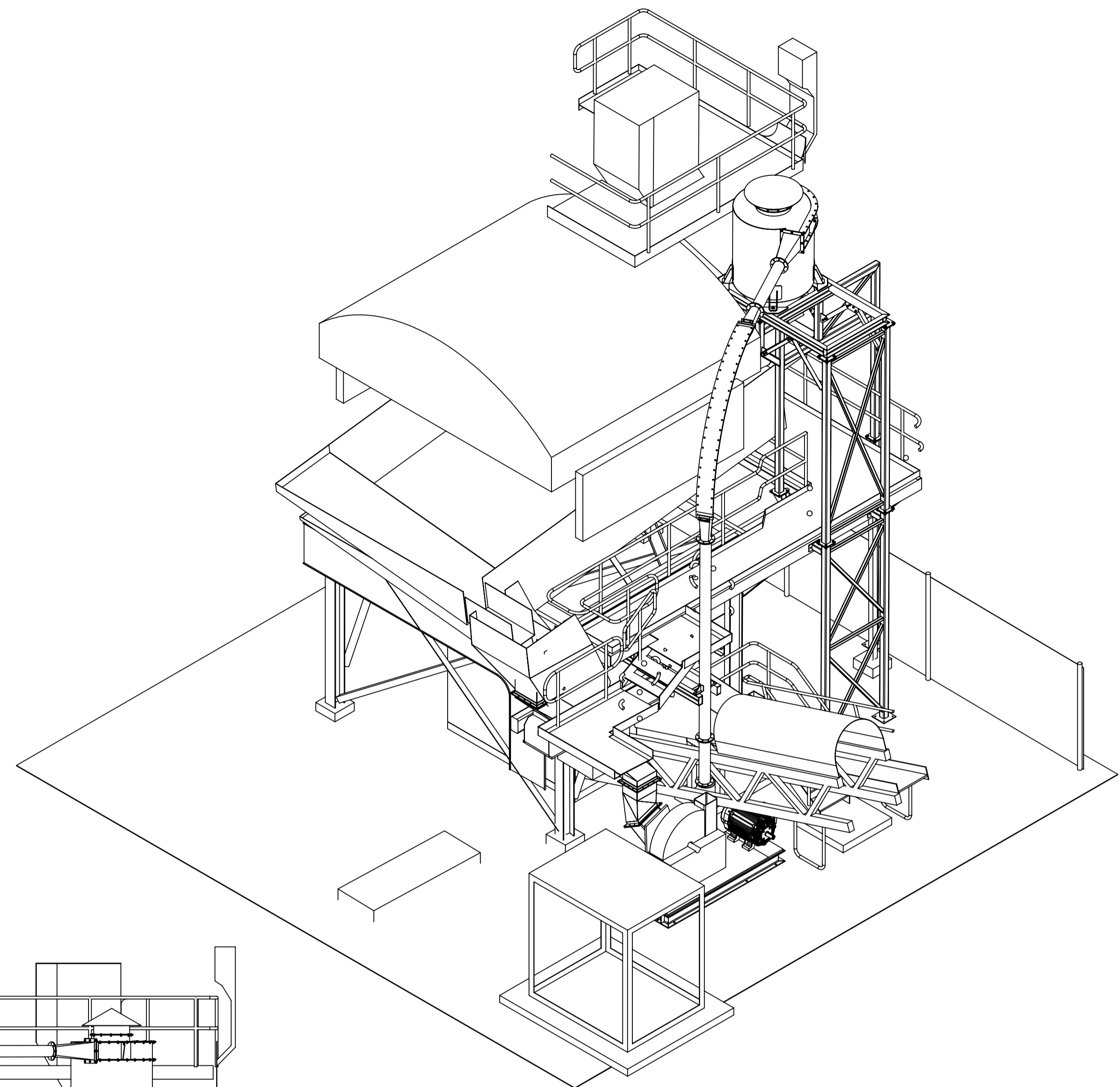
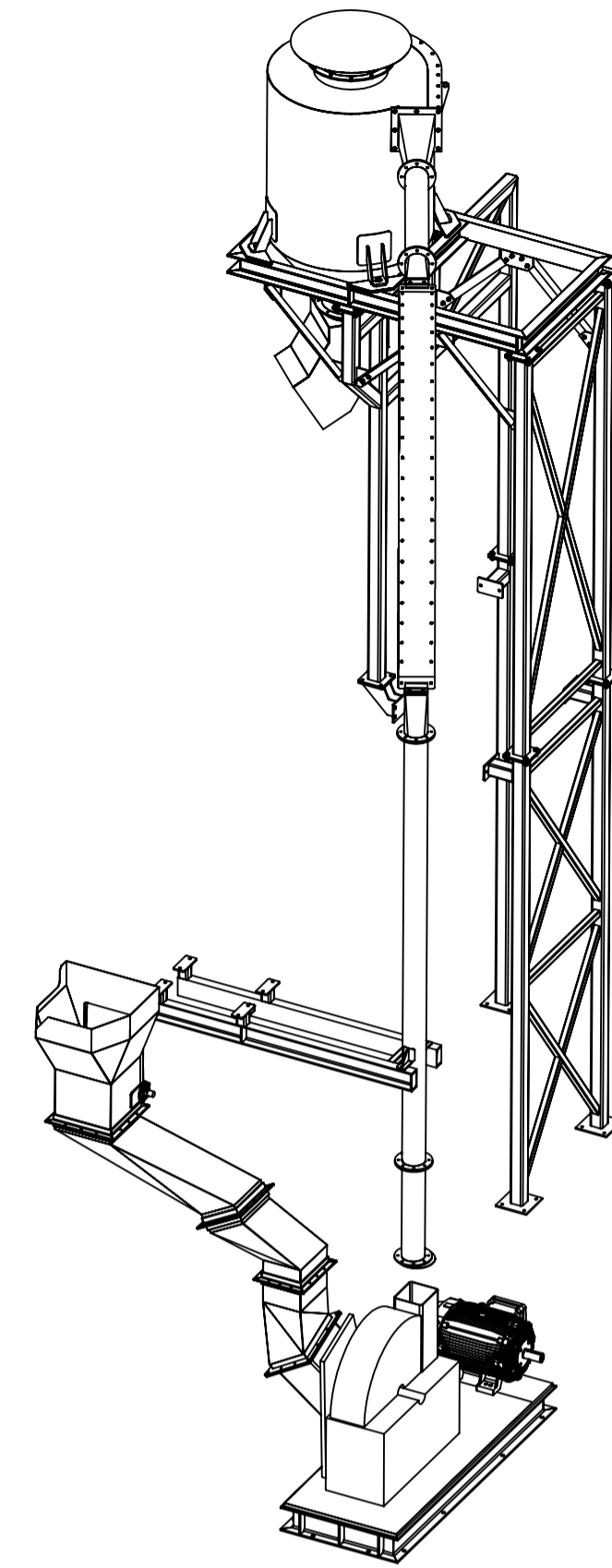
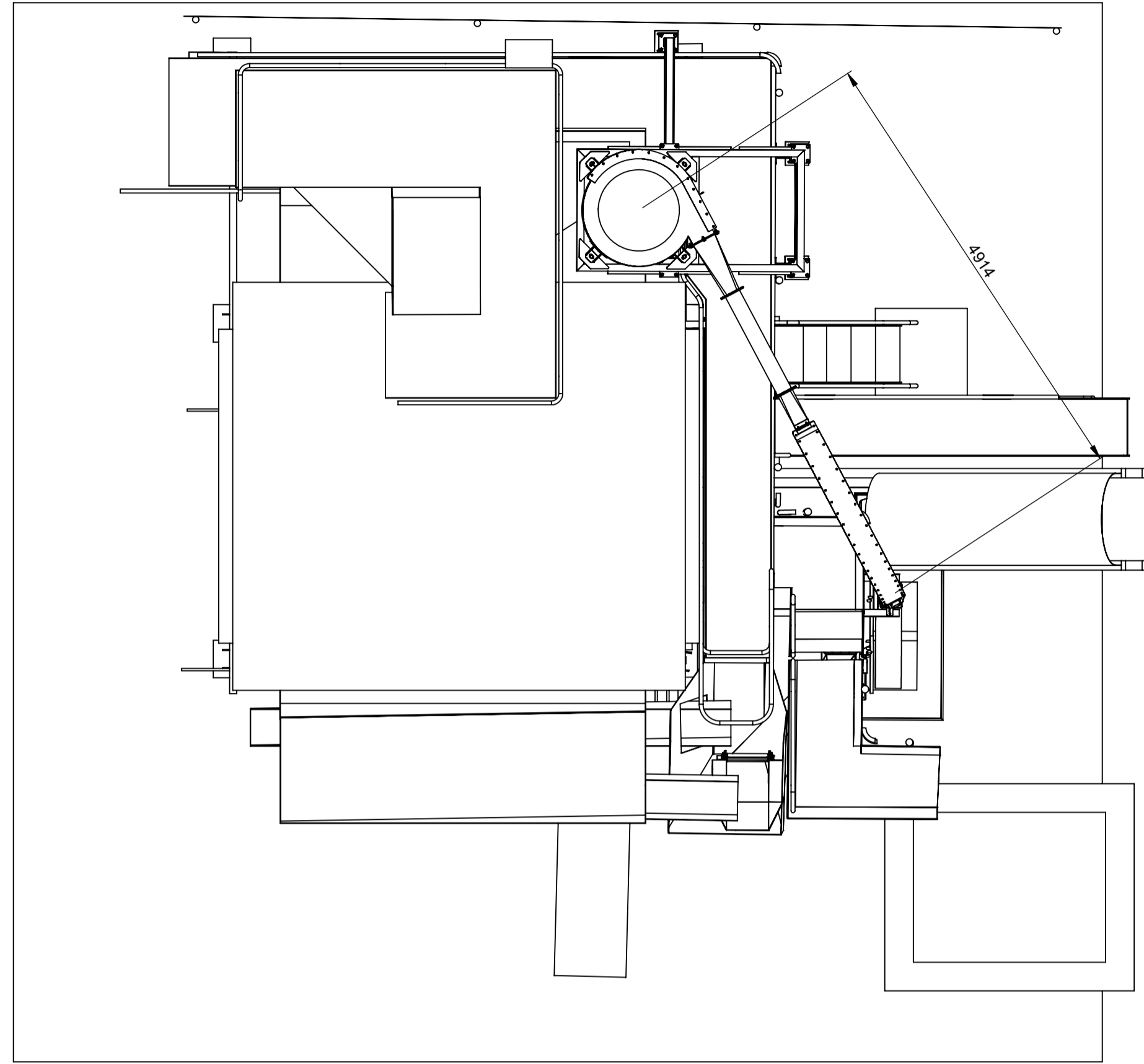



1 2 3 4 5 6 7 8 9 10 11 12

A
B
C
D
E
F
G
H



 DESIGNS BY SOLLY Residential Commercial Industrial 11105a Commercial St East Ph 13887235184 Mt Gambier, S.A. 5290 www.designsbysolly.com.au	DRAWN TO AS1100	DIMENSIONS IN MILLIMETRES (UNO)	DO NOT SCALE
	DRAWN JM	CUSTOMER	
	DATE		
	CHECKED		
	APPROVED		
SCALE 1:50			
NOTES: ALL DIMENSIONS AND LEVELS ARE TO BE VERIFIED BEFORE PROCEEDING WITH WORKS. THIS DRAWING IS TO BE USED IN CONJUNCTION WITH ALL RELEVANT SPECIFICATIONS, SPECIFICATIONS AND DOCUMENTS. DESIGNED BY SOLLY ACCEPTS RESPONSIBILITY FOR DIMENSIONS ON DRAWINGS. ANY DISCREPANCY/ALTERATIONS TO BE REPORTED IMMEDIATELY TO DRAFTSPERSON.	DRG	480-17-M003	REV. A SIZE A1

1 2 3 4 5 6 7 8 9 10 11 12